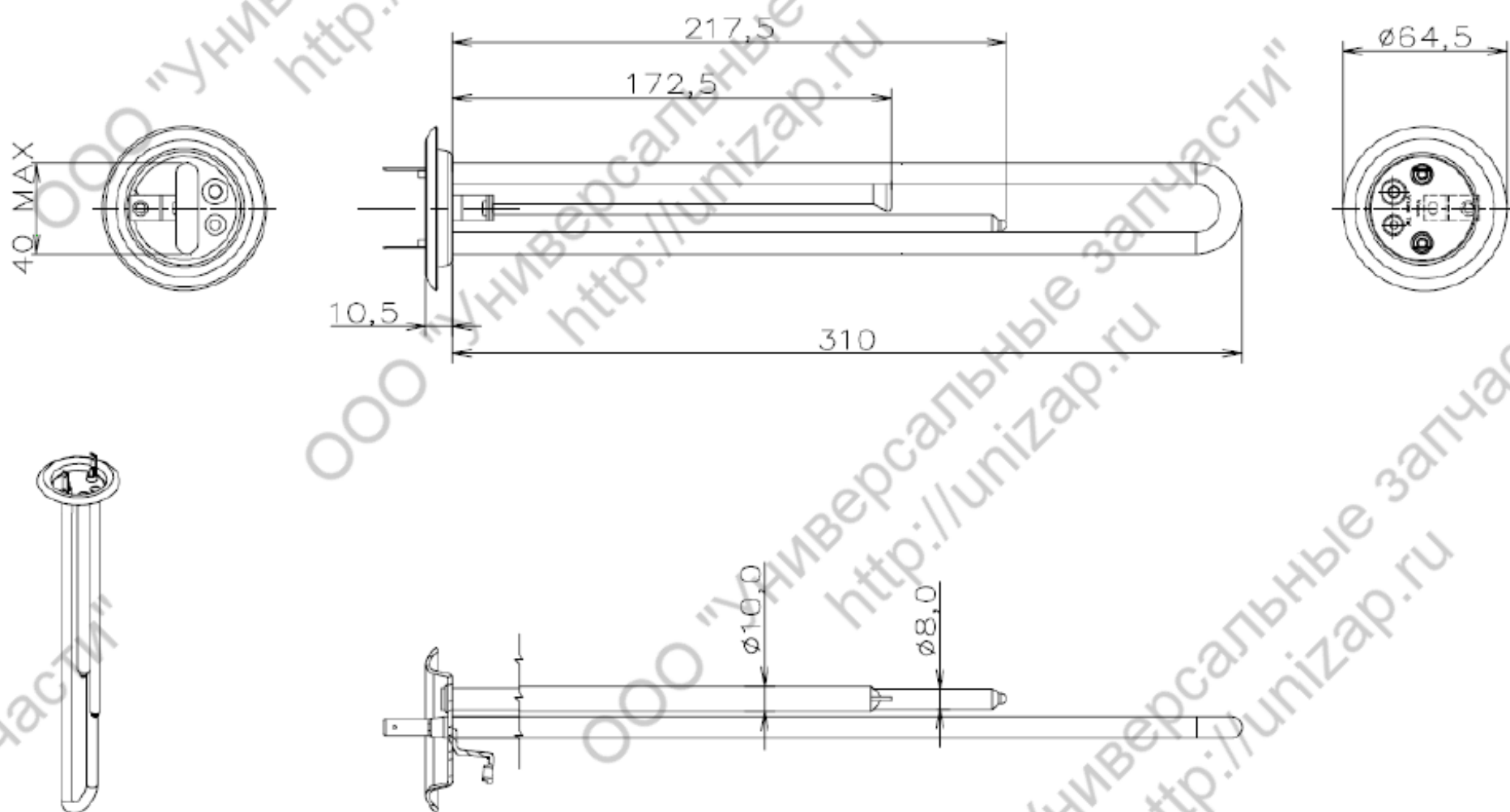


034013340000 RF Ø64 CU 1300W 220V
Flange depth 10,5 mm



Code	034013340000
Material description	RF Ø64 CU 1300W 220V
Shape	Straight
Flange diam (mm)	64,5
Flange depth (mm)	10,5
Flange material	AISI
Tube material	CU
Sheath material	2xCU
Power (W)	1300
Tension (V)	220
HE size (mm)	310
Sheath lenght (mm)	217/172
Tube lenght (mm)	640
Loading surface (W/cm ²)	9,2
Sheath diam (mm)	8/10
Anode connection	M4
He connection	Straight faston