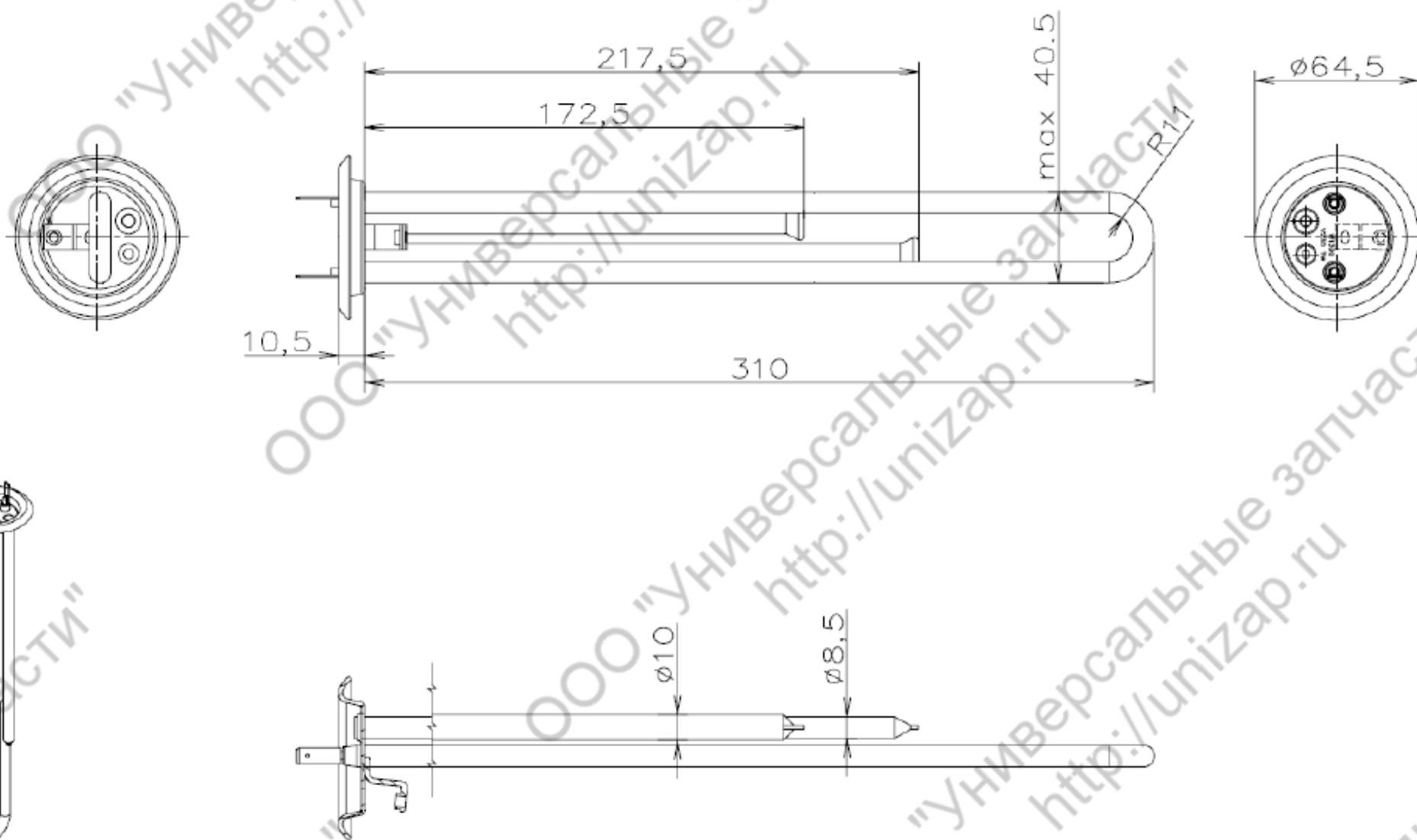


034013320000 RF Ø64 AISI 1300W 230V
Flange depth 10,5 mm



Code	034013320000
Material description	RF Ø64 AISI 1300W 230V
Shape	Straight
Flange diam (mm)	64,5
Flange depth (mm)	10,5
Flange material	AISI
Tube material	AISI
Sheath material	2xAISI
Power (W)	1300
Tension (V)	230
HE size (mm)	310
Sheath lenght (mm)	217/172
Tube lenght (mm)	640
Loading surface (W/cm ²)	9,2
Sheath diam (mm)	8,5/10
Anode connection	M4
He connection	Straight faston