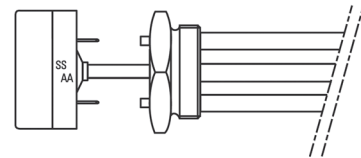
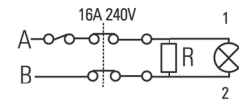
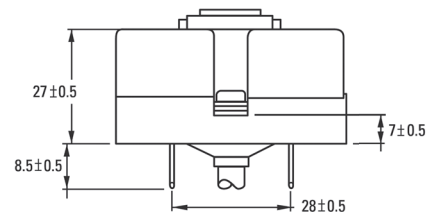
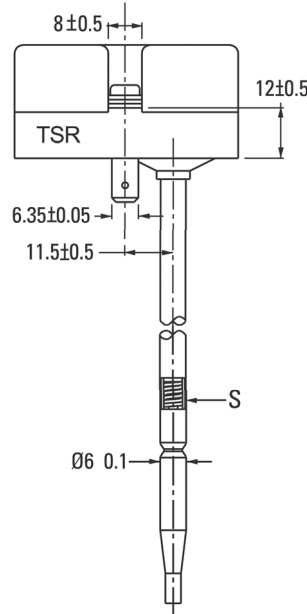
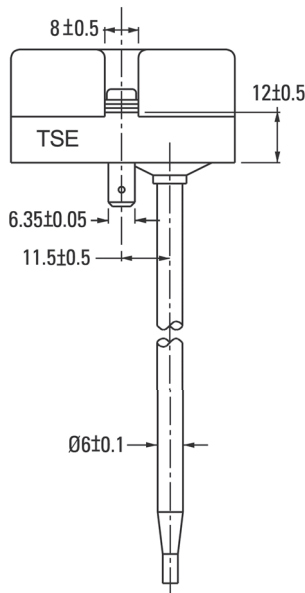
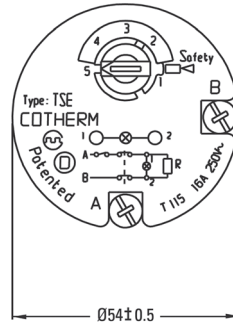


...TSE/TSR

TECHNICAL CHARACTERISTICS



	TSE	TSR	TSEU
Type	Single pole rod control with double pole bimetal safety limiter	Single pole rod control with MFS technology double pole safety limiter	Single pole rod control
Temperature range	0 to 160°C / 32 to 320°F		
Differential	Approx 5% of the temperature range		
Safety limiter temperature	Fixed 65 to 120°C / 149 to 248°F		
Rating	16A or 20A - 250V		
Material	Brass, invar, bimetal, MFS		
Stem length	137, 180, 220, 270, 350, and 450 mm / 5, 7, 8, 11, 14, and 18"		
Sensing element diameter	6 mm / 1/4"		
Maximum head temperature	115°C / 239°F		
Connections	Brass faston or pillar terminals		
Approvals	CE conformity, ENEC MARK according to EN-60730-1, EN 67130-2-9, ROHS conformity		

Weight: approx. 110g