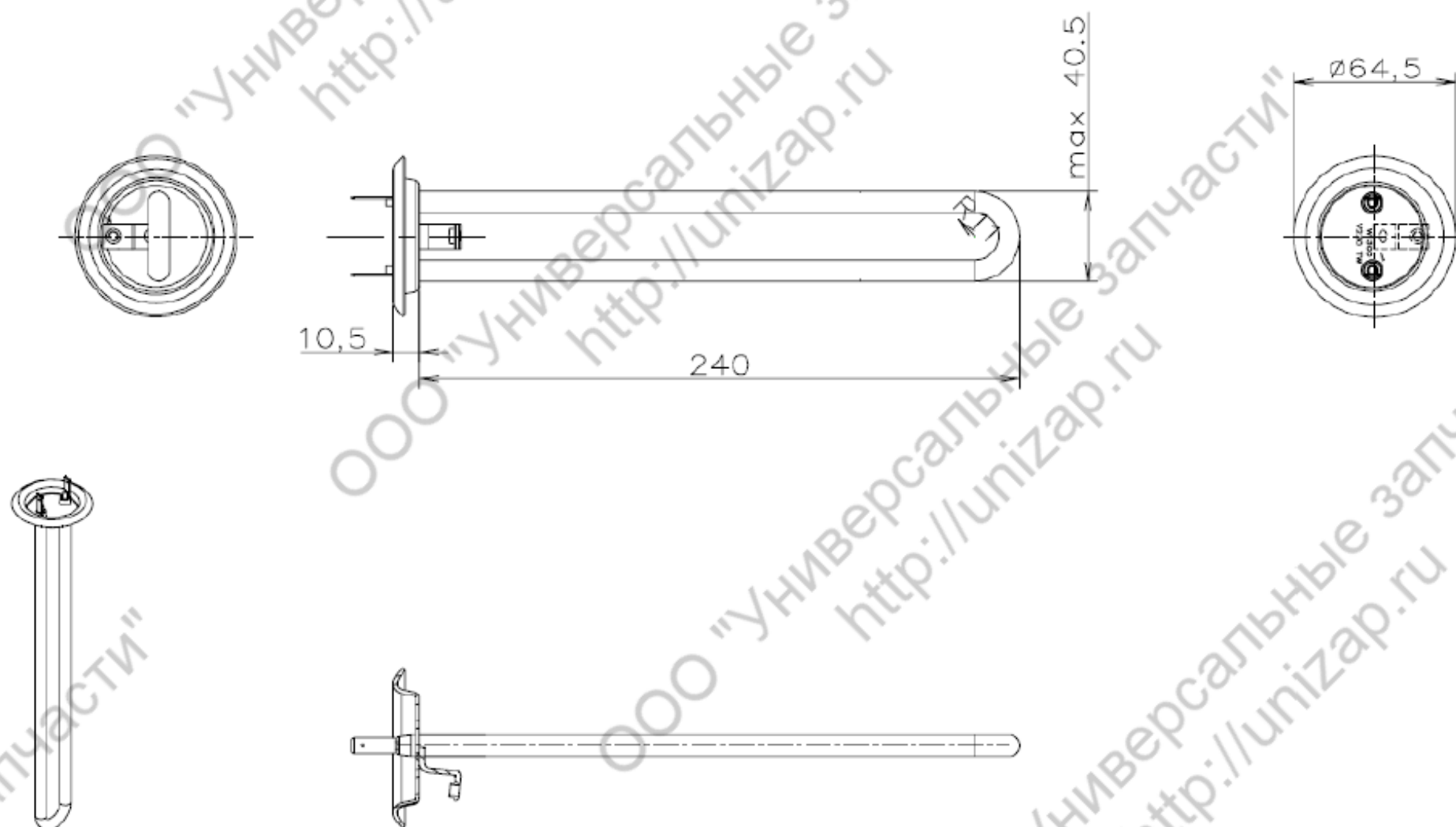


034013330000 RF Ø64 AISI 700W 230V
Flange depth 10,5 mm



Code	034013330000
Material description	RF Ø64 AISI 700W 230V
Shape	Straight
Flange diam (mm)	64,5
Flange depth (mm)	10,5
Flange material	AISI
Tube material	AISI
Sheath material	-
Power (W)	700
Tension (V)	230
HE size (mm)	240
Sheath lenght (mm)	-
Tube lenght (mm)	500
Loading surface (W/cm ²)	6,6
Sheath diam (mm)	-
Anode connection	M4
He connection	Straight faston