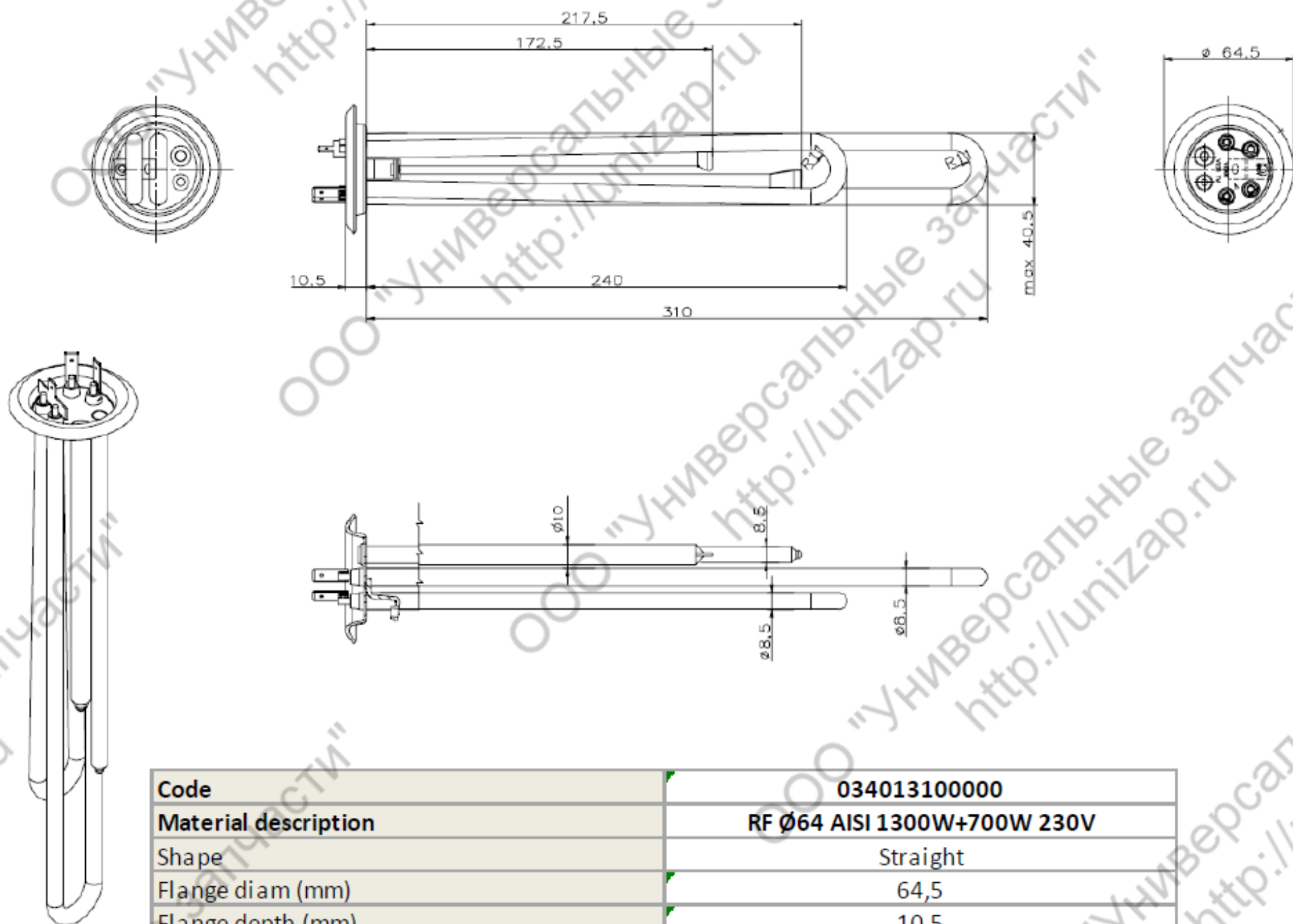


034013100000 RF Ø64 AISI 1300W+700W 230V
Flange depth 10,5 mm



Code	034013100000
Material description	RF Ø64 AISI 1300W+700W 230V
Shape	Straight
Flange diam (mm)	64,5
Flange depth (mm)	10,5
Flange material	AISI
Tube material	2xAISI
Sheath material	2xAISI
Power (W)	1300+700
Tension (V)	230
HE size (mm)	310/240
Sheath lenght (mm)	217/172
Tube lenght (mm)	640/500
Loading surface (W/cm2)	9,2/6,6
Sheath diam (mm)	8,5/10
Anode connection	M4
He connection	Straight faston + faston bridge